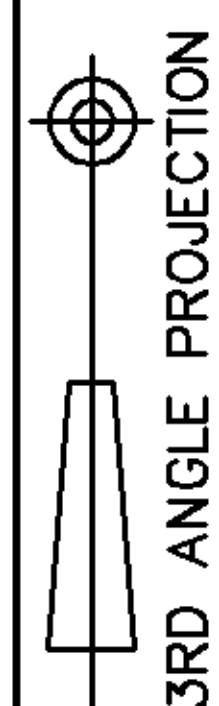


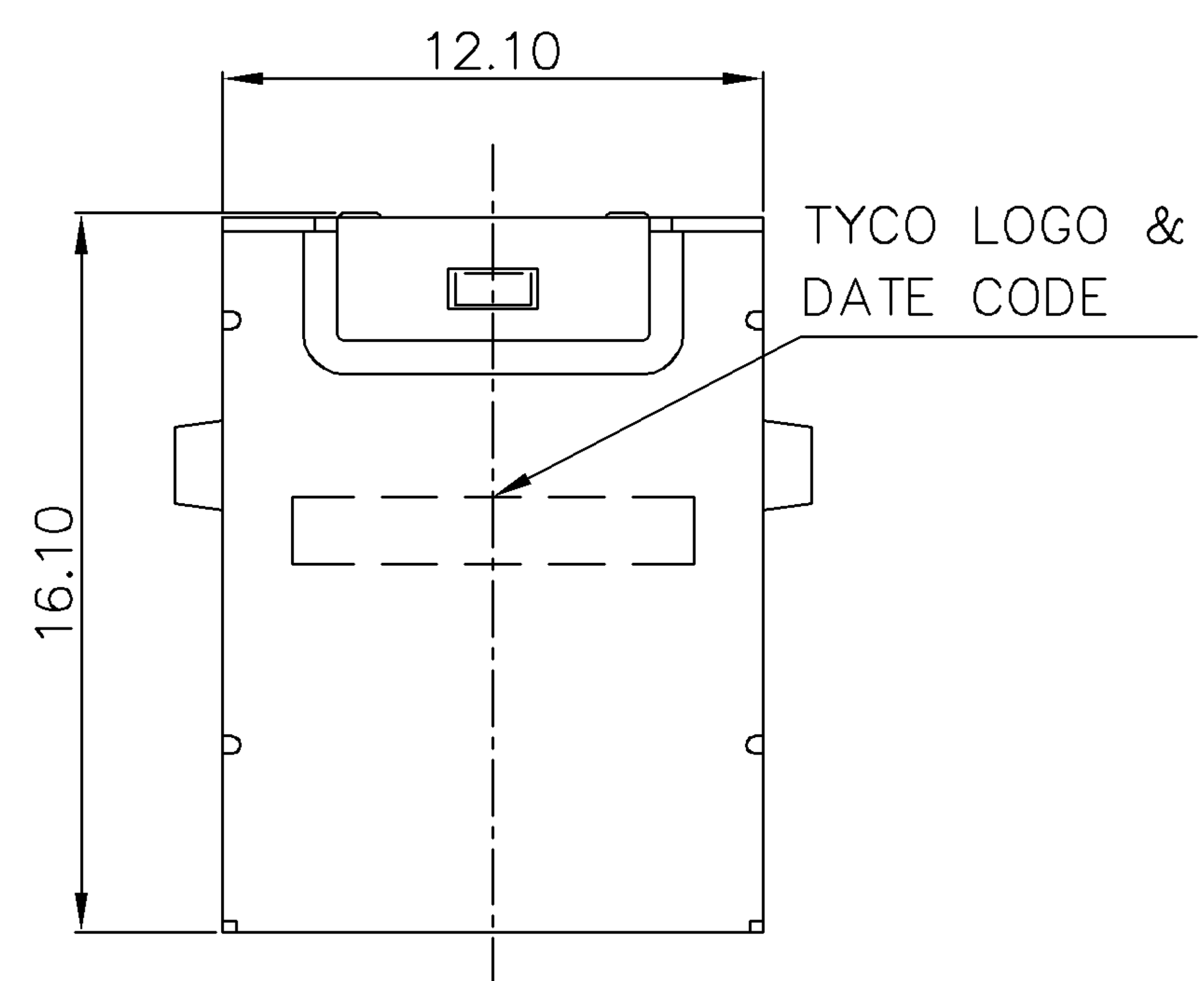
NUMBER  
C-1734086



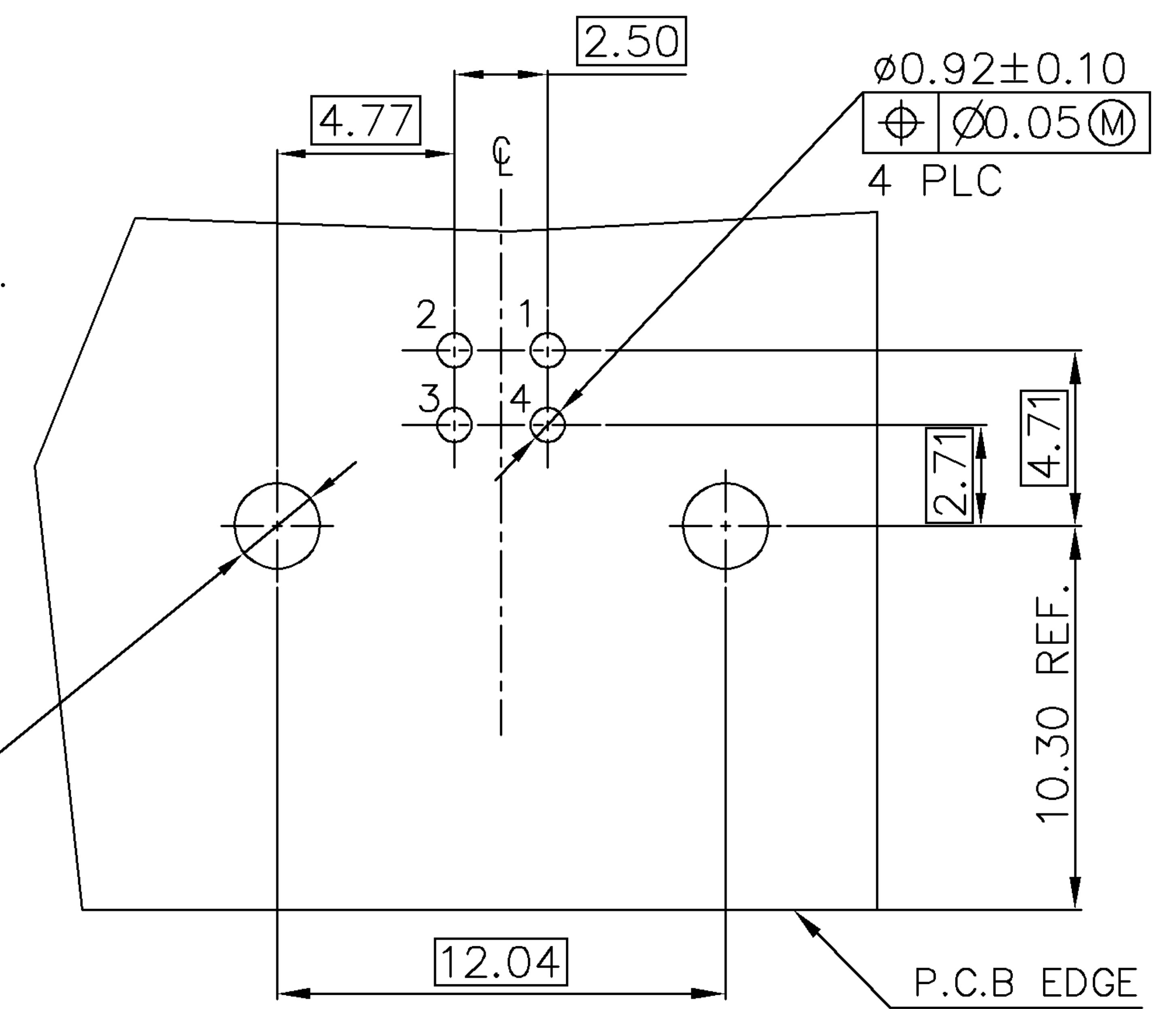
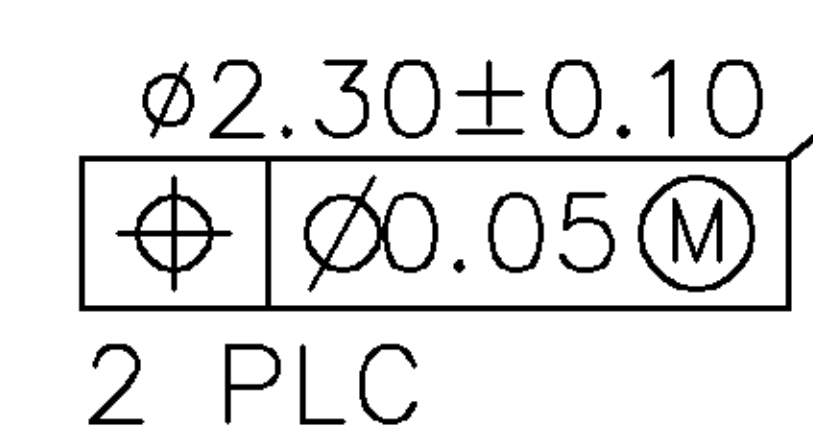
METRIC

THIS INFORMATION IS CONFIDENTIAL AND IS DISCLOSED TO YOU ON CONDITION THAT NO FURTHER DISCLOSURE IS MADE BY YOU TO OTHER THAN AMP PERSONNEL WITHOUT WRITTEN AUTHORIZATION FROM AMP (TAIWAN) LTD. DIMENSIONS IN MILLIMETERS. DO NOT SCALE PRINT.

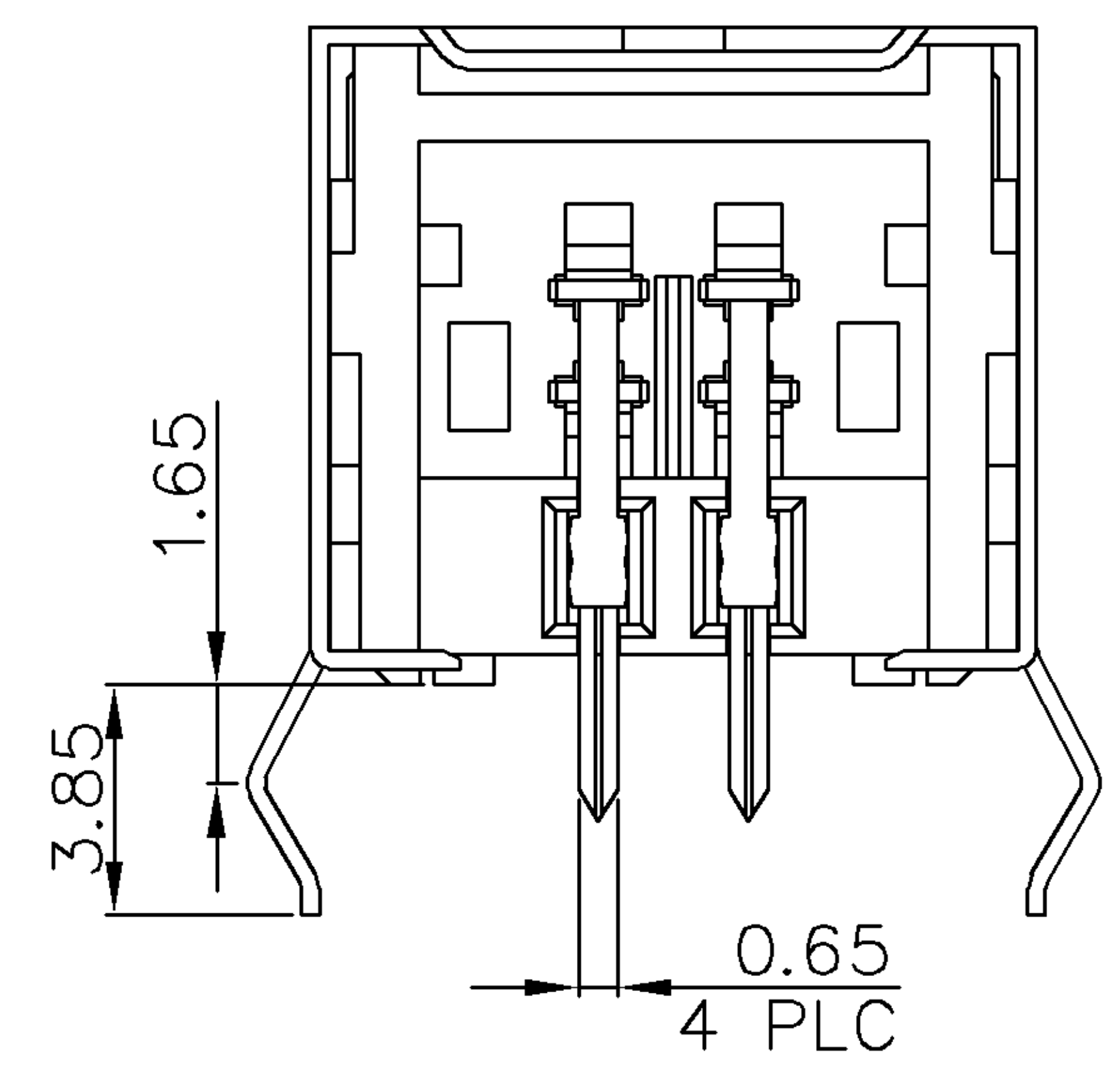
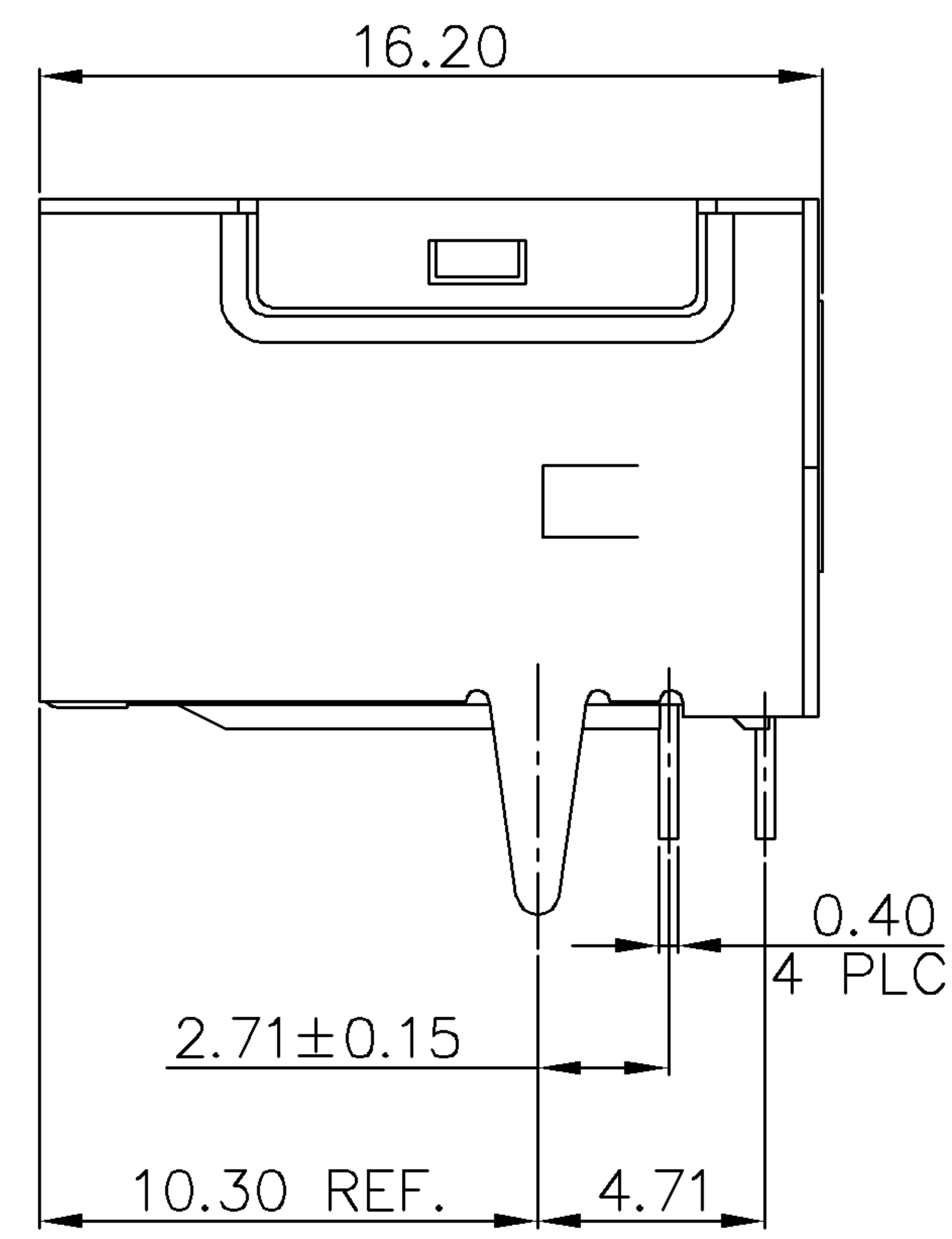
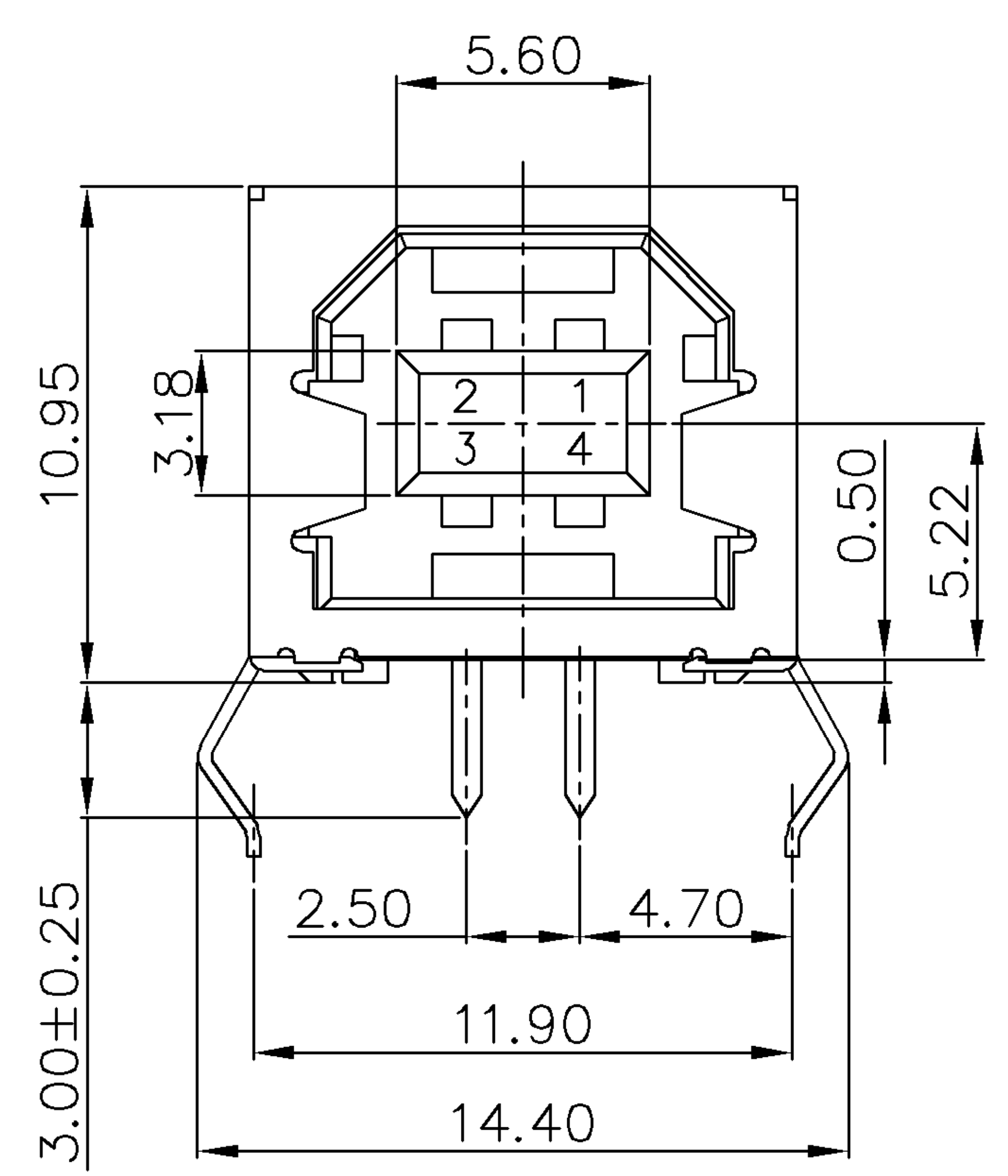
PRINT DIST  
DW



- NOTES:
- MATERIAL:  
HOUSING : THERMOPLASTIC(SEE TABLE), WITH 30% GLASS FIBER FILLED. UL 94V-0 RATED. COLOR:(SEE TABLE).  
CONTACT: PHOSPHOR BRONZE.(t=0.25mm).  
SHIELD: BRASS OR PHOSPHOR BRONZE (t=0.30mm).
  - FINISH :  
CONTACT: 30μ" MIN. GOLD PLATING ON CONTACT AREA.  
150μ" MIN. BRIGHT TIN PLATING ON SOLDER TAILS  
50μ" MIN. NICKEL UNDERPLATING OVERALL  
SHIELD: 120μ" MIN. NICKEL PLATING  
50μ" MIN. Cu UNDER PLATING OVERALL
- ⚠️ REFLOW SOLDER CAPABLE TO 260°C PER TYCO SPEC 109-201, CONDITION B.  
⚠️ WAVE SOLDER CAPABLE TO 240°C PER TYCO SPEC109-201, CONDITION A.



RECOMMEND P.C.B LAYOUT (THICKNESS=1.6mm)  
(TOP VIEW) TOLERANCE±0.05



BLUE PANTONE (285C)	⚠️ PA46	0-1734086-4
WHITE	⚠️ PA46	0-1734086-3
BLACK	⚠️ PA46	0-1734086-2
WHITE	⚠️ PBT	0-1734086-1
COLOR	HSG. MATERIAL	PART NUMBER

TOLERANCES UNLESS OTHERWISE SPECIFIED: 0 PLC ± 1 PLC ±0.35 2 PLC ±0.25 3 PLC ± ANGLES ±3'	DWN O. HU 20-SEP-2005	<b>tyco</b> TYCO HOLDINGS (BERMUDA) <b>Electronics</b> VII LTD. TAIWAN BRANCH	
MATERIAL SEE NOTE	CHK S. HOU 20-SEP-2005	NAME	
FINISH SEE NOTE	APVD W.J. KE 20-SEP-2005	USB CONNECTOR, B TYPE, RIGHT ANGLE	
	PRODUCT SPEC 108-57549	LOC DW	SIZE A <sub>3</sub>
	QUALIFICATION TEST REPORT 501-57681	DRAWING NO C-1734086	REV 0
	WEIGHT 3.62 gram	SCALE --	SHEET 1 OF 4

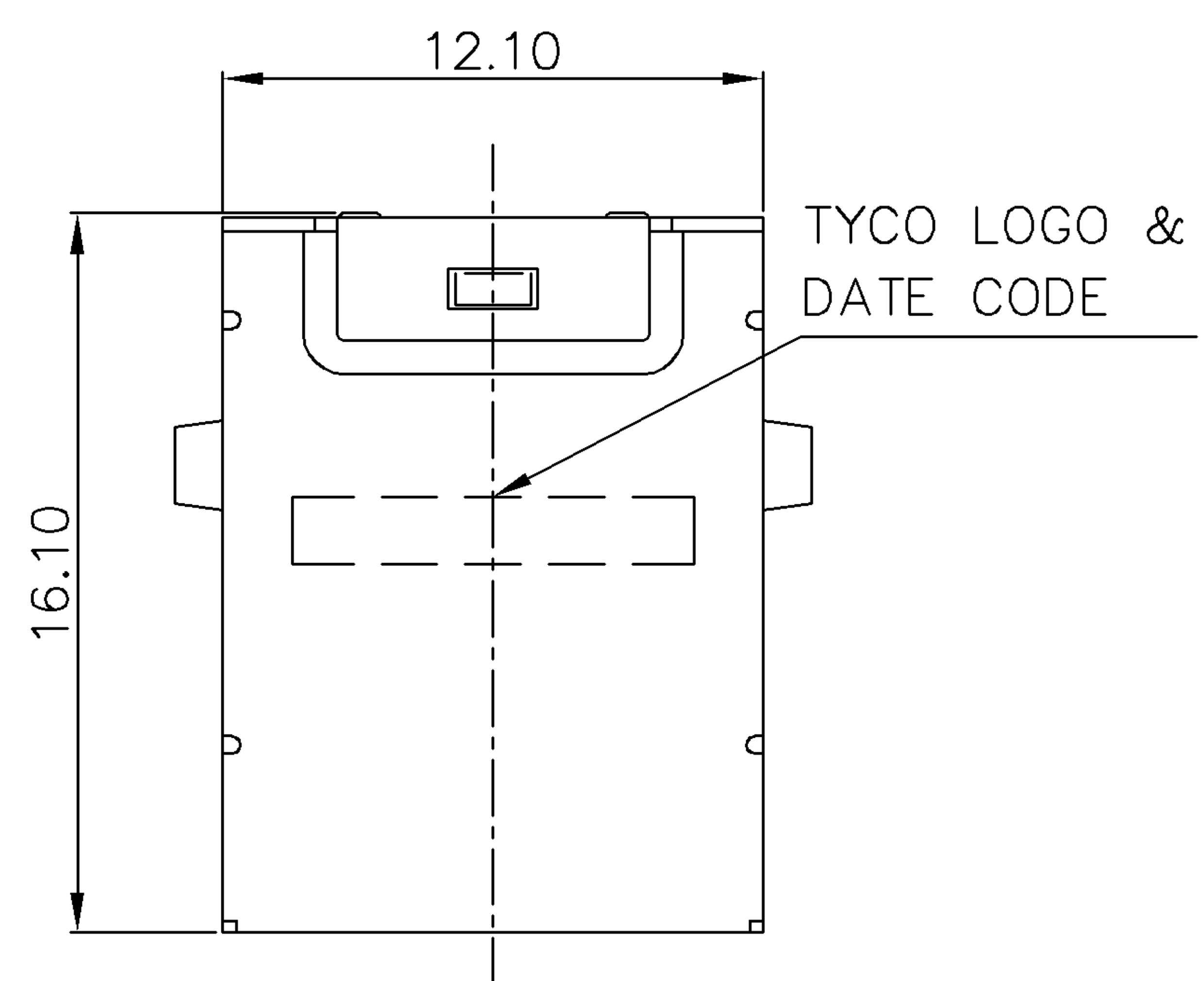
O	FIRST RELEASED	FZ00-00XX-02	OH JC	14AUG 2002
LTR	REVISION RECORD	ECN	DWN CHK	DATE

NUMBER  
C-1734086

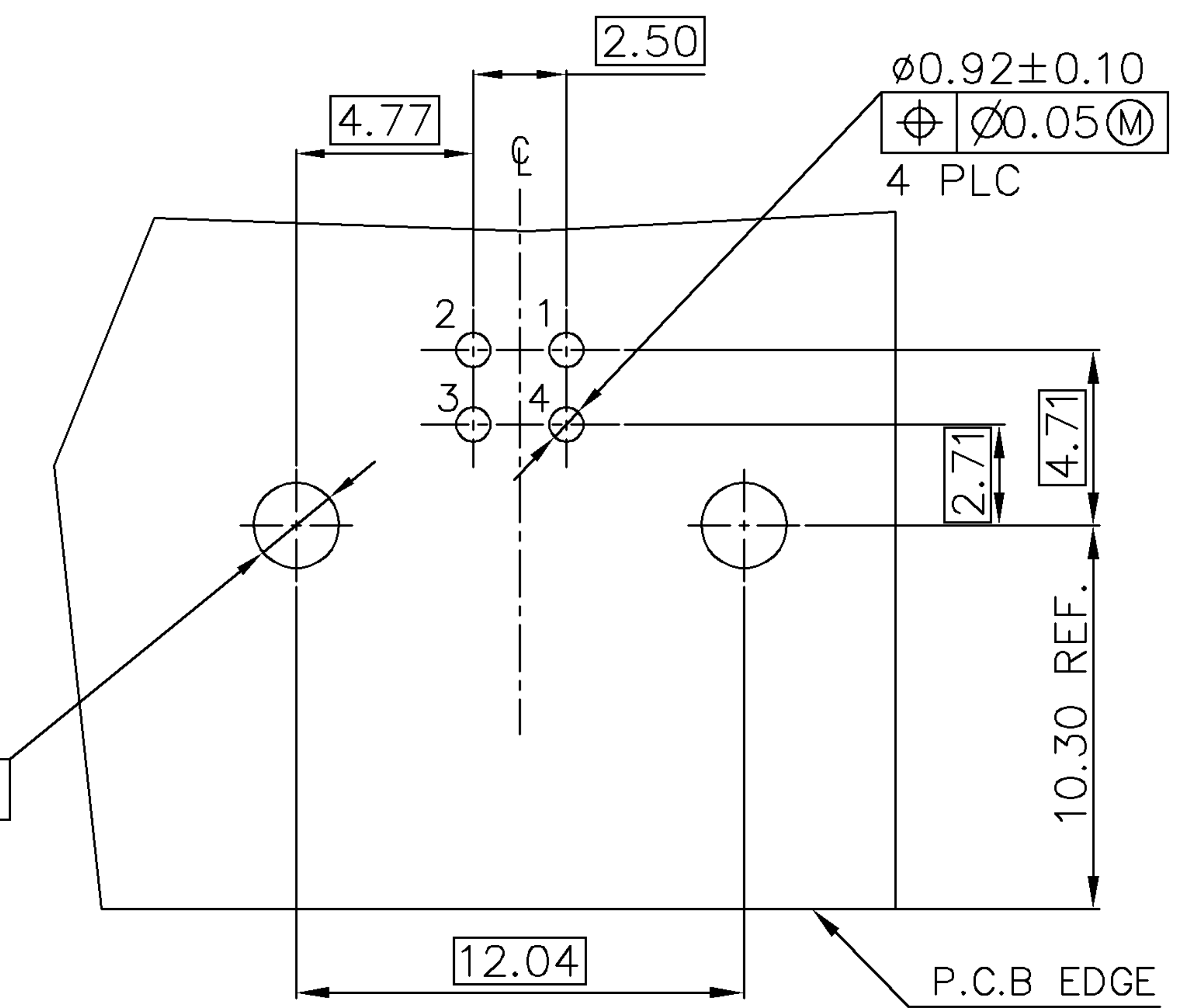
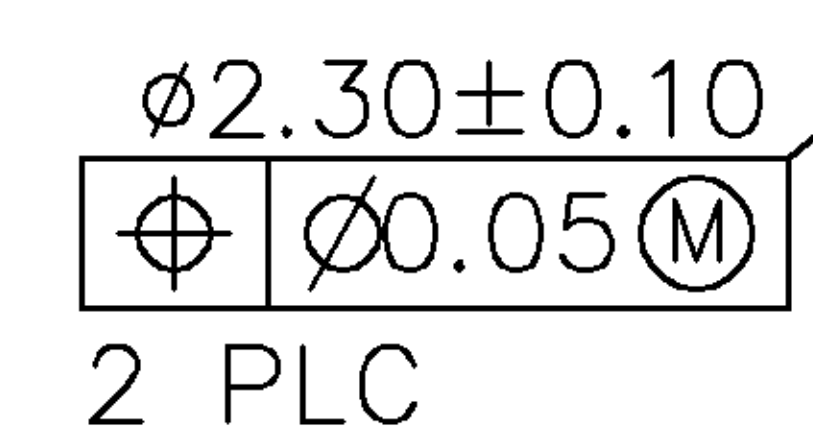
METRIC  
3RD ANGLE PROJECTION

THIS INFORMATION IS CONFIDENTIAL AND IS DISCLOSED TO YOU ON CONDITION THAT NO FURTHER DISCLOSURE IS MADE BY YOU TO OTHER THAN AMP PERSONNEL WITHOUT WRITTEN AUTHORIZATION FROM AMP (TAIWAN) LTD. DIMENSIONS IN MILLIMETERS. DO NOT SCALE PRINT.

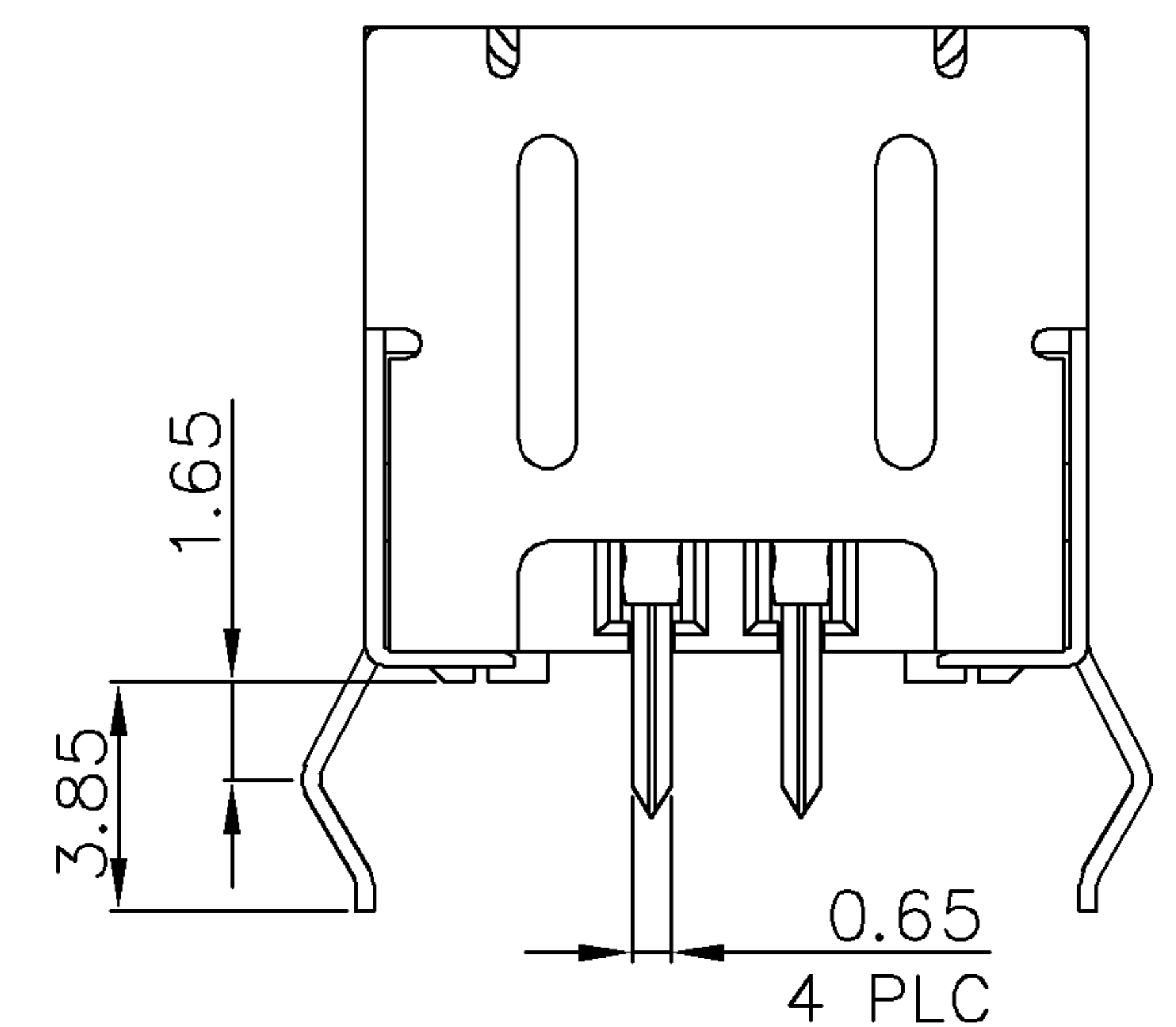
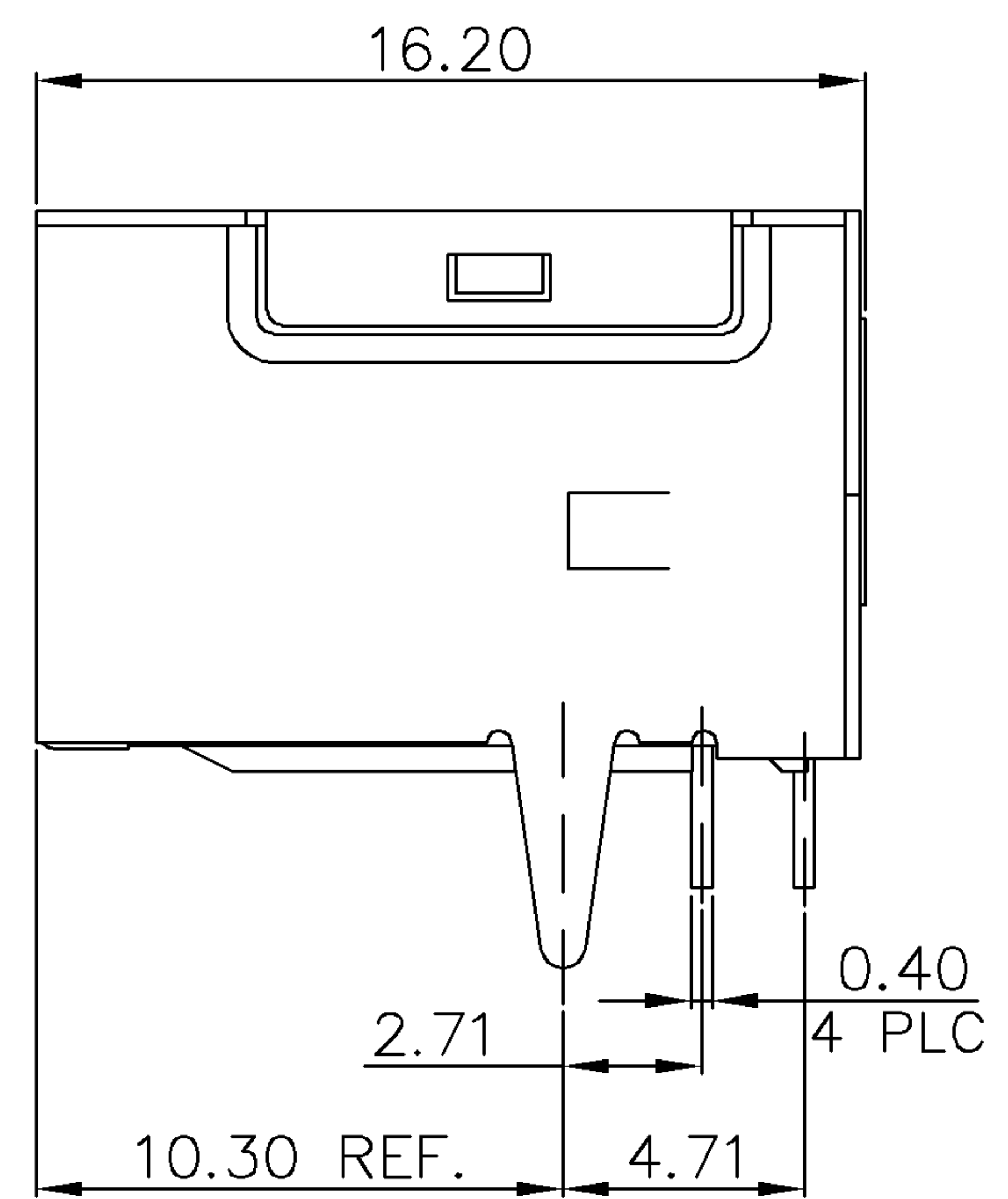
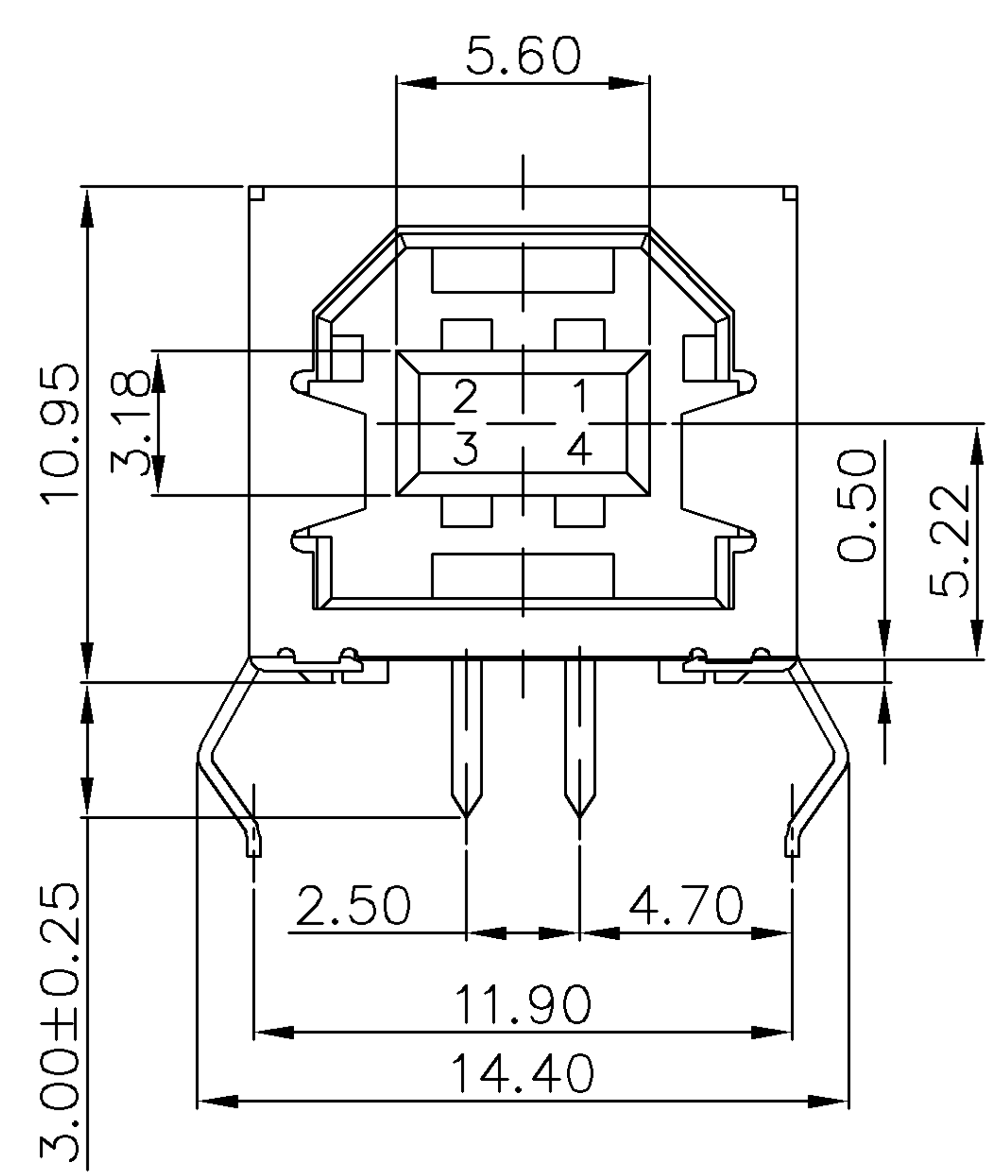
PRINT DIST  
DW



- NOTES:
- MATERIAL:  
HOUSING : THERMOPLASTIC(SEE TABLE), WITH 30% GLASS FIBER FILLED.UL 94V-0 RATED. COLOR:(SEE TABLE).  
CONTACT: PHOSPHOR BRONZE.(t=0.25mm).  
FRONT SHIELD: BRASS.(t=0.30mm).  
REAR SHIELD: SPCC.(t=0.30mm).
  - FINISH :  
CONTACT: 30μ" MIN. GOLD PLATING ON CONTACT AREA.  
150μ" MIN. BRIGHT TIN PLATING ON SOLDER TAILS  
50μ" MIN. NICKEL UNDERPLATING OVERALL  
FRONT SHIELD:120μ" MIN. NICKEL PLATING  
50μ" MIN. Cu UNDER PLATING OVERALL  
REAR SHIELD:120μ" MIN. NICKEL PLATING  
50μ" MIN. Cu UNDER PLATING OVERALL
- ⚠️ REFLOW SOLDER CAPABLE TO 260°C PER TYCO SPEC 109-201, CONDITION B.  
⚠️ WAVE SOLDER CAPABLE TO 240°C PER TYCO SPEC109-201, CONDITION A.



RECOMMEND P.C.B LAYOUT (THICKNESS=1.6mm)  
(TOP VIEW) TOLERANCE ±0.05



BLACK	⚠️ PA46	1-1734086-2
WHITE	⚠️ PBT	1-1734086-1
COLOR	HSG. MATERIAL	PART NUMBER

TOLERANCES UNLESS OTHERWISE SPECIFIED: 0 PLC ± 1 PLC ± 0.35 2 PLC ± 0.25 3 PLC ± ANGLES ±3'	DWN	O. HU	TYCO HOLDINGS (BERMUDA) VII LTD. TAIWAN BRANCH 	
	20-SEP-2005	20-SEP-2005		
MATERIAL  SEE NOTE	CHK	S. HOU	NAME  USB CONNECTOR, B TYPE, RIGHT ANGLE	
	20-SEP-2005	20-SEP-2005		
FINISH  SEE NOTE	APVD	W.J. KE	LOC SIZE DRAWING NO REV DW A <sub>3</sub> C-1734086 O	
	20-SEP-2005	20-SEP-2005		
QUALIFICATION TEST REPORT 501-57681	PRODUCT SPEC 108-57549	SCALE SHEET -- 2 OF 4		
	WEIGHT 3.62 gram			

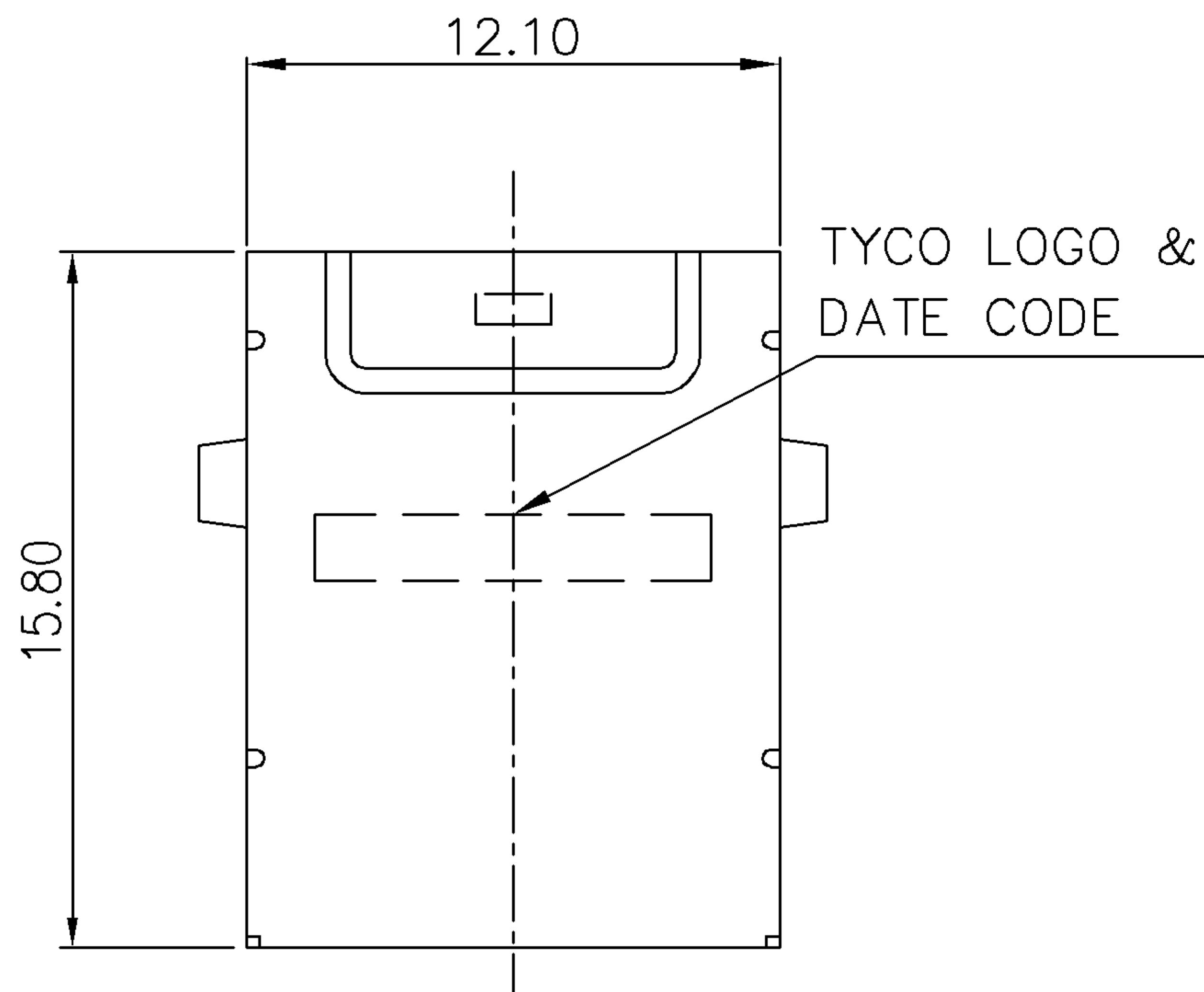
SEE SHEET 1.	ECN	DWN	CHK	DATE
LTR	REVISION RECORD			

NUMBER  
C-1734086

METRIC  
3RD ANGLE PROJECTION

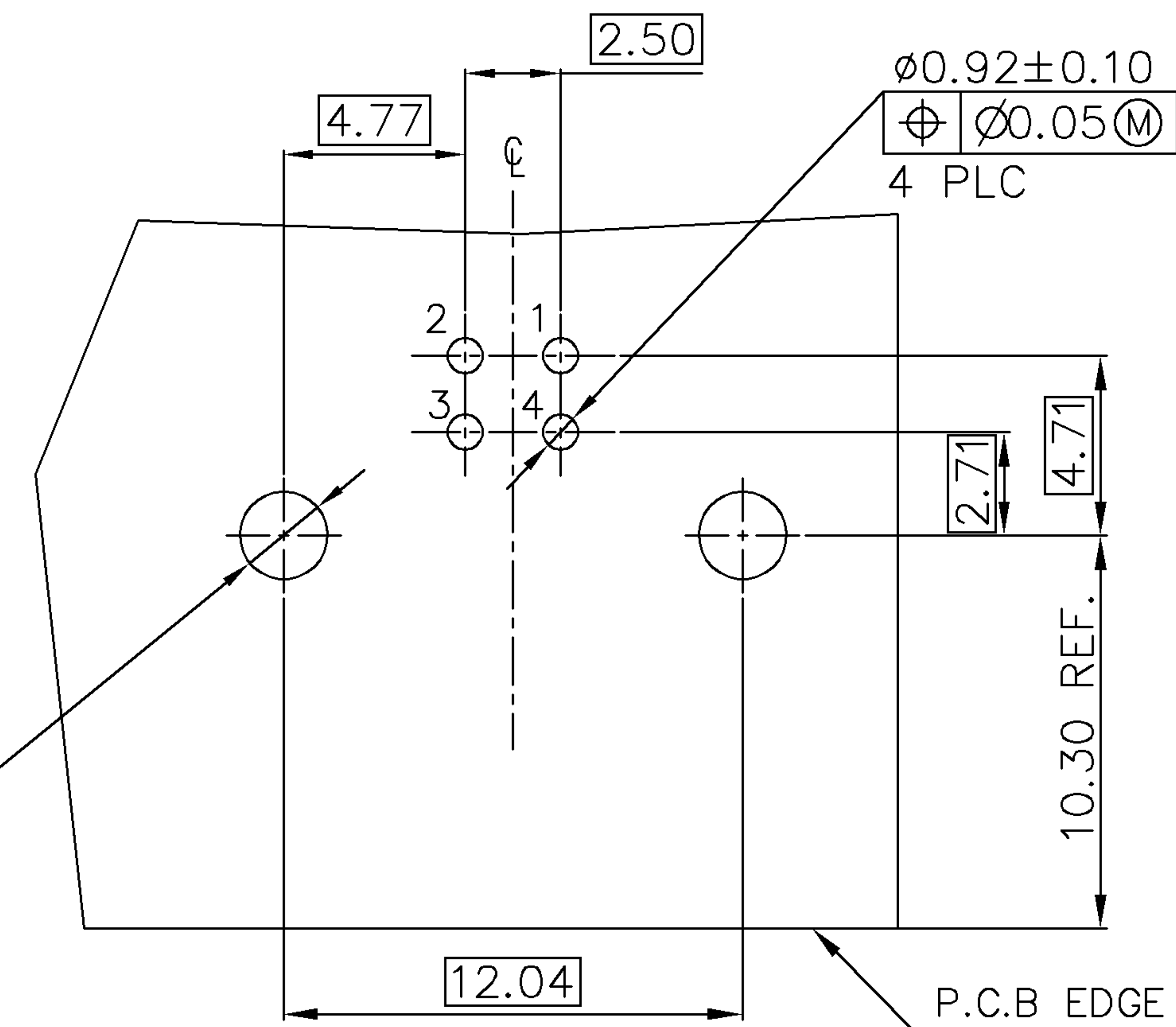
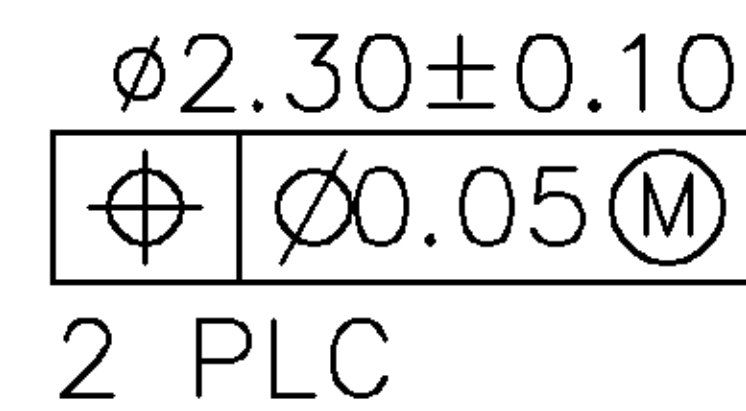
THIS INFORMATION IS CONFIDENTIAL AND IS DISCLOSED TO YOU ON CONDITION THAT NO FURTHER DISCLOSURE IS MADE BY YOU TO OTHER THAN AMP PERSONNEL WITHOUT WRITTEN AUTHORIZATION FROM AMP (TAIWAN) LTD. DIMENSIONS IN MILLIMETERS. DO NOT SCALE PRINT.

PRINT DIST  
DW

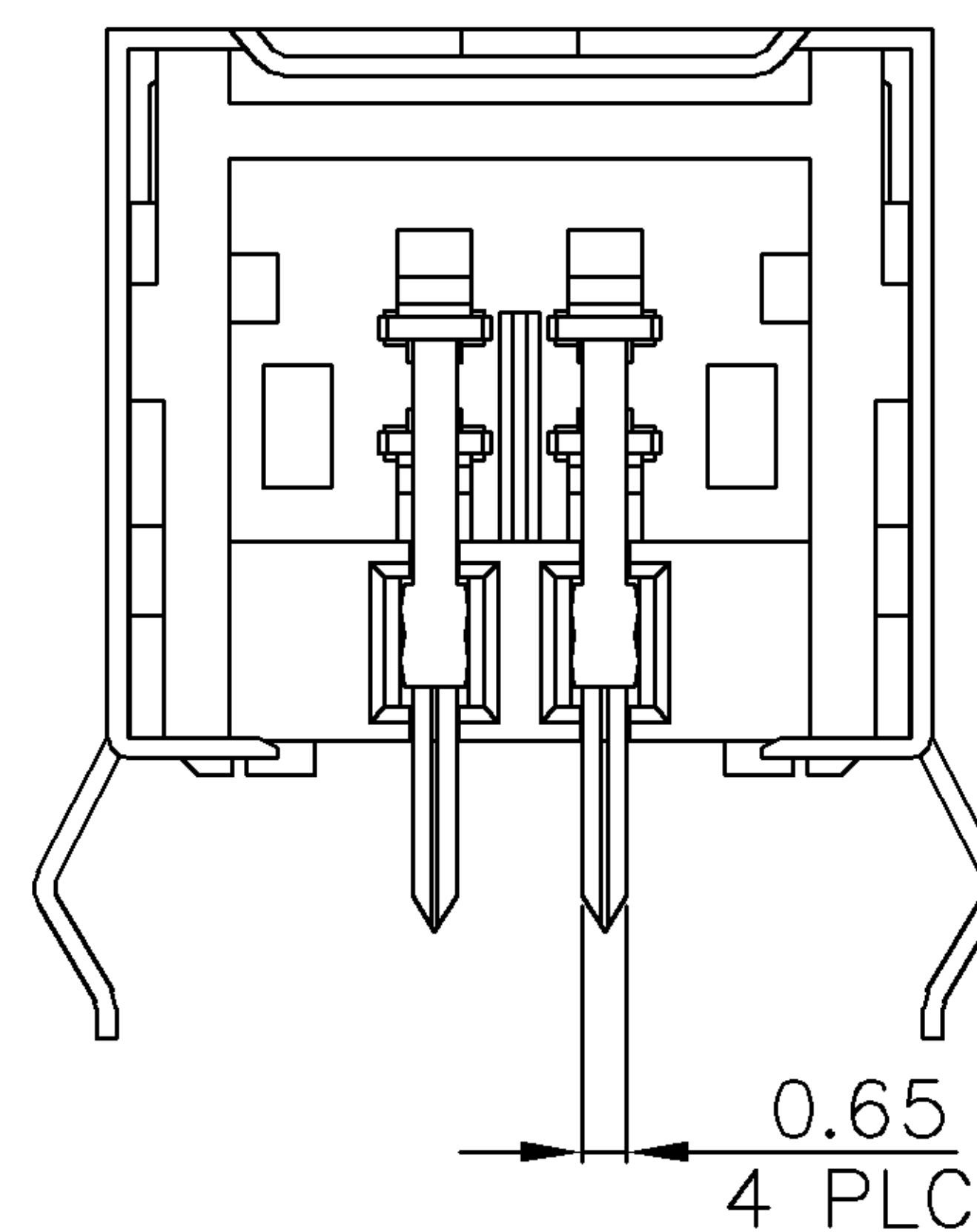
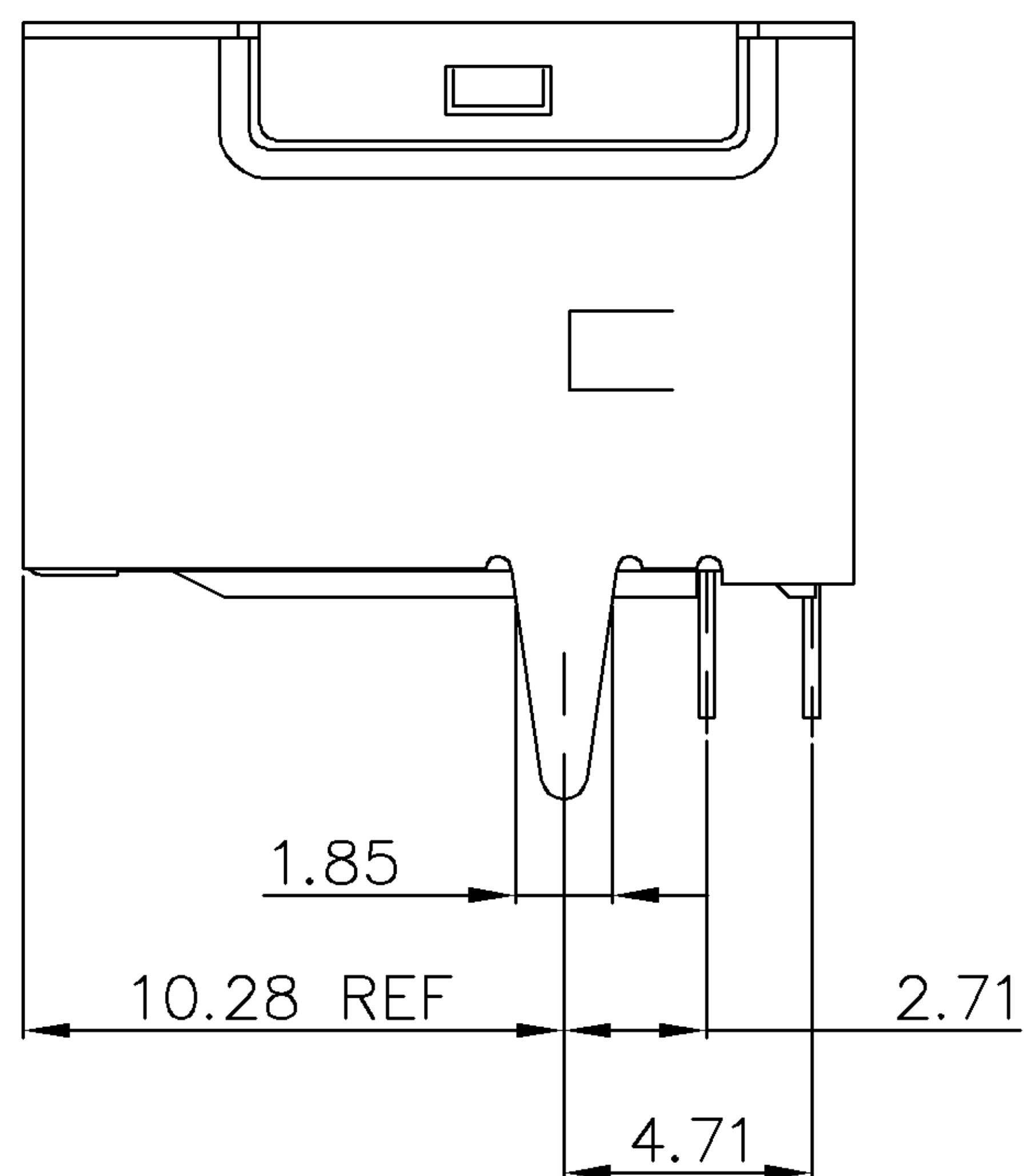
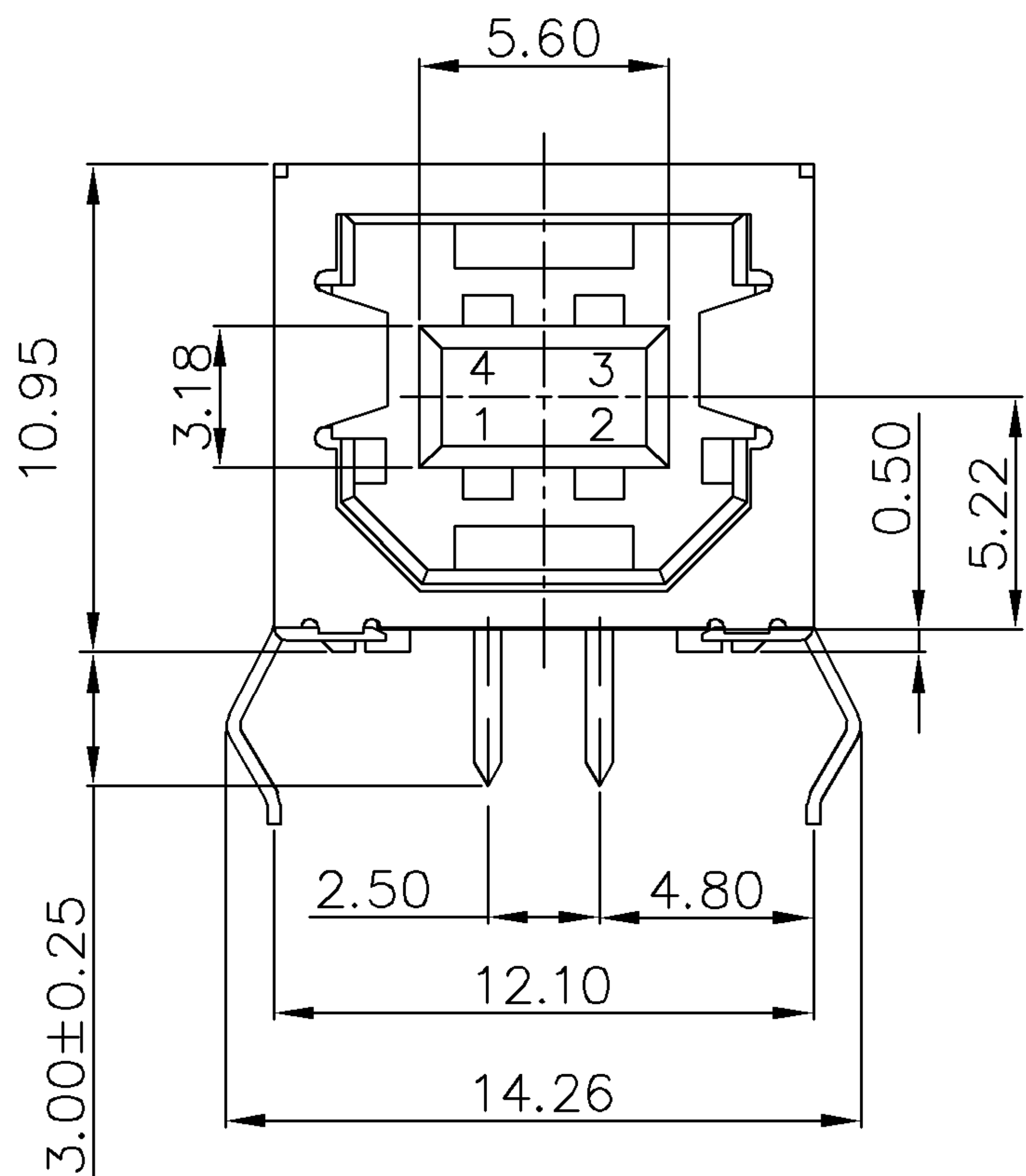


NOTES:

- MATERIAL:  
HOUSING :THERMOPLASTIC(SEE TABLE), WITH 30% GLASS FIBER FILLED. UL 94V-0 RATED. COLOR:(SEE TABLE).  
CONTACT:PHOSPHOR BRONZE, (t=0.25mm).  
SHIELD: BRASS OR PHOSPHOR BRONZE (t=0.30mm).
  - FINISH :  
CONTACT: 30 $\mu$ " MIN. GOLD PLATING ON CONTACT AREA.  
150 $\mu$ " MIN. BRIGHT TIN PLATING ON SOLDER TAILS  
50 $\mu$ " MIN. NICKEL UNDERPLATING OVERALL  
REAR SHIELD:120 $\mu$ " MIN. NICKEL PLATING  
50 $\mu$ " MIN. Cu UNDER PLATING OVERALL
- ⚠ REFLOW SOLDER CAPABLE TO 260°C PER TYCO SPEC 109-201, CONDITION B.  
⚠ WAVE SOLDER CAPABLE TO 240°C PER TYCO SPEC109-201, CONDITION A.



RECOMMEND P.C.B LAYOUT (THICKNESS=1.6mm)  
(TOP VIEW) TOLERANCE±0.05

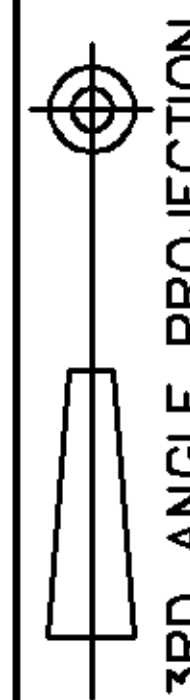


BLACK	⚠ PA46	2-1734086-2
WHITE	⚠ PBT	2-1734086-1
COLOR	HSG. MATERIAL	PART NUMBER

TOLERANCES UNLESS OTHERWISE SPECIFIED: 0 PLC ± 1 PLC ± 0.35 2 PLC ± 0.25 3 PLC ± ANGLES ±3'	DWN O. HU 20-SEP-2005	 TYCO HOLDINGS (BERMUDA) VII LTD. TAIWAN BRANCH
MATERIAL SEE NOTE	CHK S. HOU 20-SEP-2005	
FINISH SEE NOTE	APVD W.J. KE 20-SEP-2005	USB CONNECTOR, B TYPE, RIGHT ANGLE
	PRODUCT SPEC 108-57549	
	QUALIFICATION TEST REPORT 501-57681	LOC DW SIZE A <sub>3</sub>
	WEIGHT 3.62 gram	DRAWING NO C-1734086
		REV O
		SCALE --
		SHEET 3 OF 4

SEE SHEET 1.			
LTR	REVISION RECORD	ECN	DWN/CHK/DATE

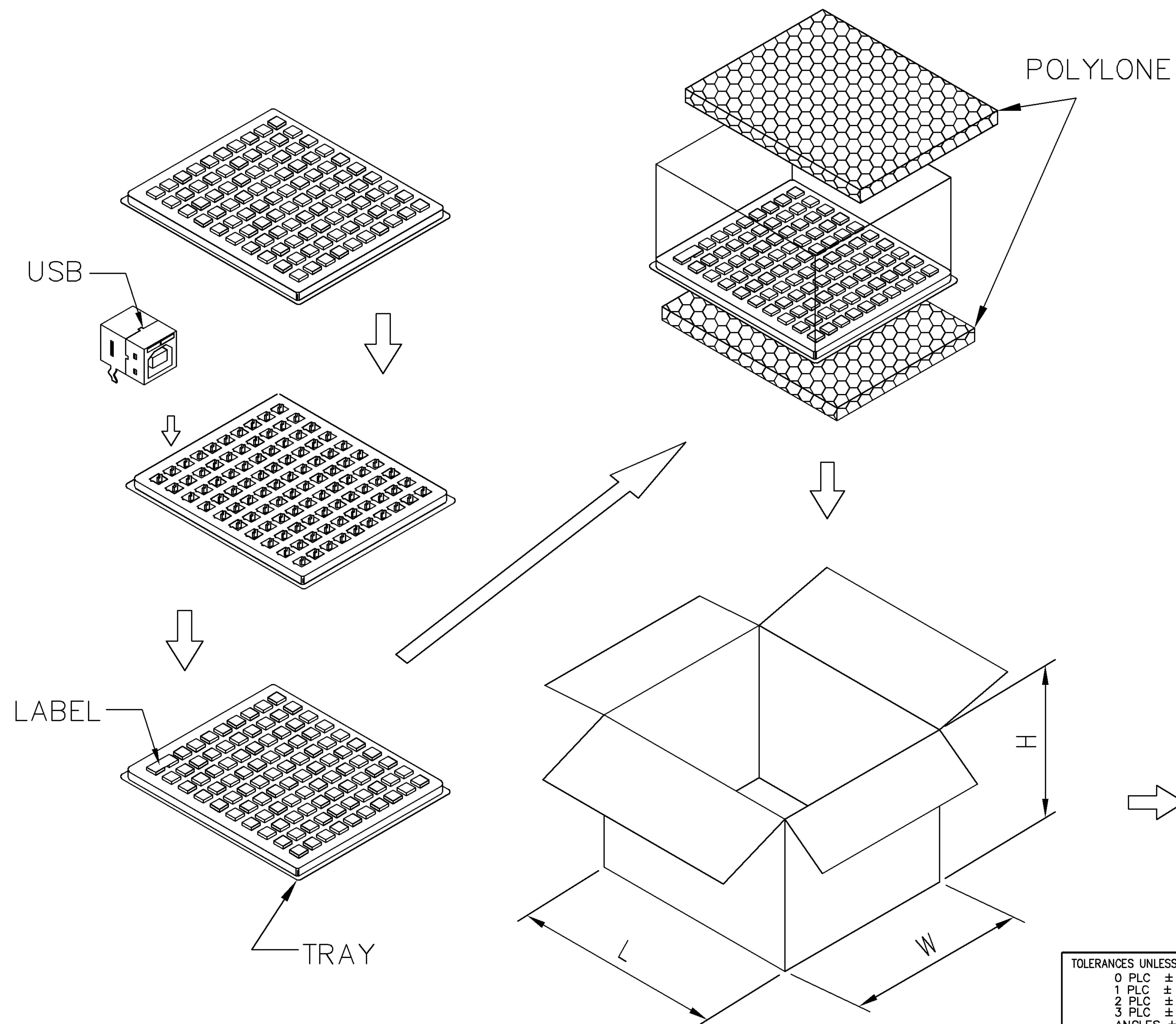
NUMBER  
C-1734086



METRIC

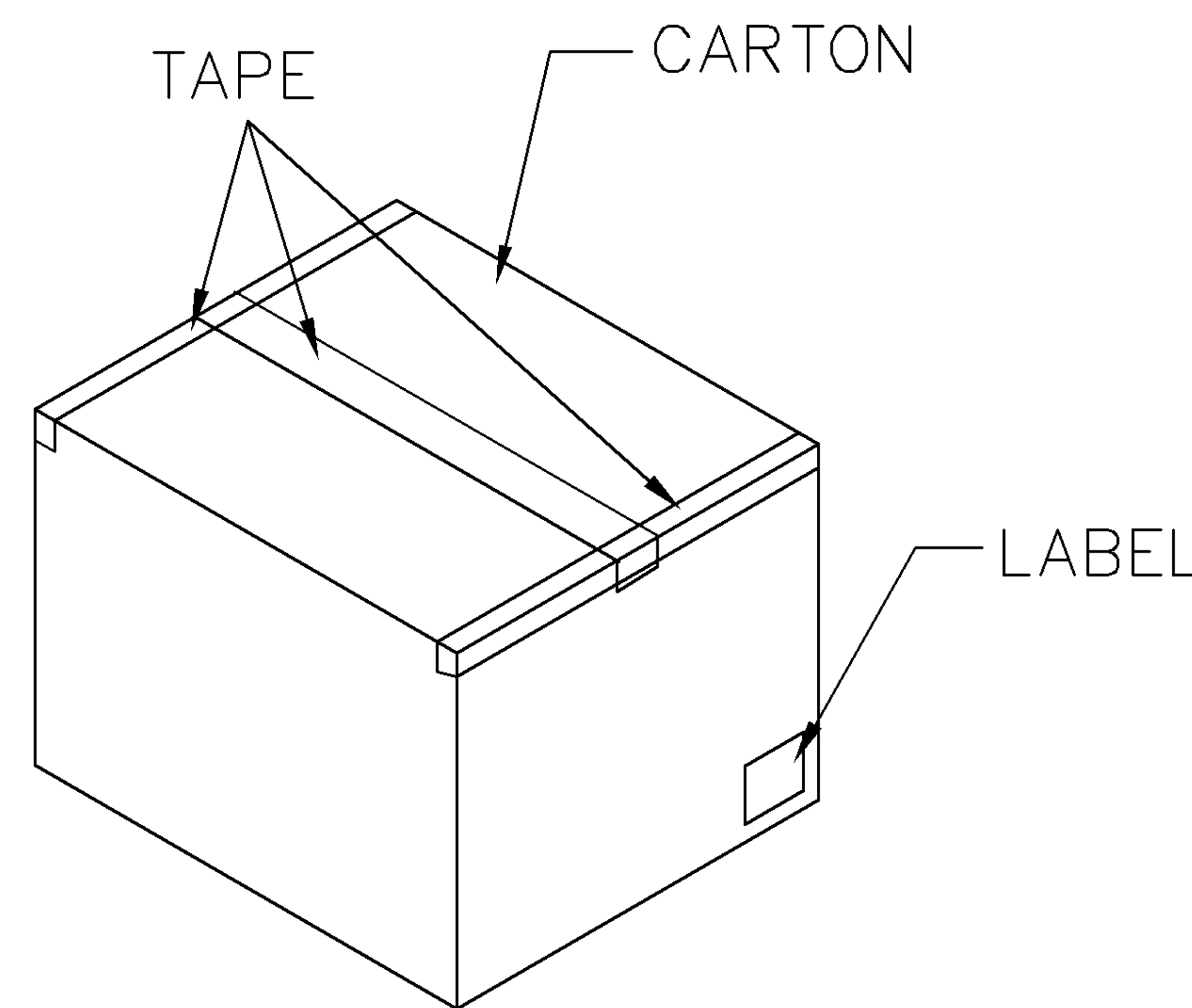
THIS INFORMATION IS CONFIDENTIAL AND IS DISCLOSED TO YOU ON CONDITION THAT NO FURTHER DISCLOSURE IS MADE BY YOU TO OTHER THAN AMP PERSONNEL WITHOUT WRITTEN AUTHORIZATION FROM AMP (TAIWAN) LTD. DIMENSIONS IN MILLIMETERS. DO NOT SCALE PRINT.

PRINT DIST  
DW



NOTES:

- MATERIAL:  
TRAY: PE.  
POLYLYONE: POLYLYONE  
SHIPPING CARTON: CORRUGATED FIBER.
- DIMENSION :  
TRAY: 308mm(L)X 226mm(W)X 23mm(H)  
POLYLYONE: 305mm(L)X 238mm(W)X 10mm(H)  
SHIPPING CARTON: 503mm(L)X 338mm(W)X 258mm(H)
- QUANTITY :  
PRIMARY PACKING: 100 PCS/TRAY  
SECONDARY PACKING: 10 TRAYS/CARTON(1,000PCS).
- WEIGHT :  
NET WEIGHT : 3.62 KG  
GROSS WEIGHT : 5.08 KG



TOLERANCES UNLESS OTHERWISE SPECIFIED:		DWN	O. HU	<b>tyco</b> TYCO HOLDINGS (BERMUDA) VII LTD. TAIWAN BRANCH
0 PLC ±		20-SEP-2005	20-SEP-2005	
1 PLC ±		CHK	S. HOU	NAME
2 PLC ±			20-SEP-2005	
3 PLC ±				USB CONNECTOR, B TYPE, RIGHT ANGLE
ANGLES ±				
MATERIAL	SEE NOTE	APVD	W.J. KE	LOC SIZE DRAWING NO DW <b>A</b> <sub>3</sub> C-1734086
		PRODUCT SPEC	20-SEP-2005	
FINISH	SEE NOTE	QUALIFICATION TEST REPORT	---	REV O
		WEIGHT	---	SCALE
				SHEET 4 OF 4

SEE SHEET 1.	ECN	DWN	CHK	DATE
LTR	REVISION RECORD			

8 7 6 5 4 3 2 1 CUSTOMER DRAWING